

High Volume Cascade Impactor

용도

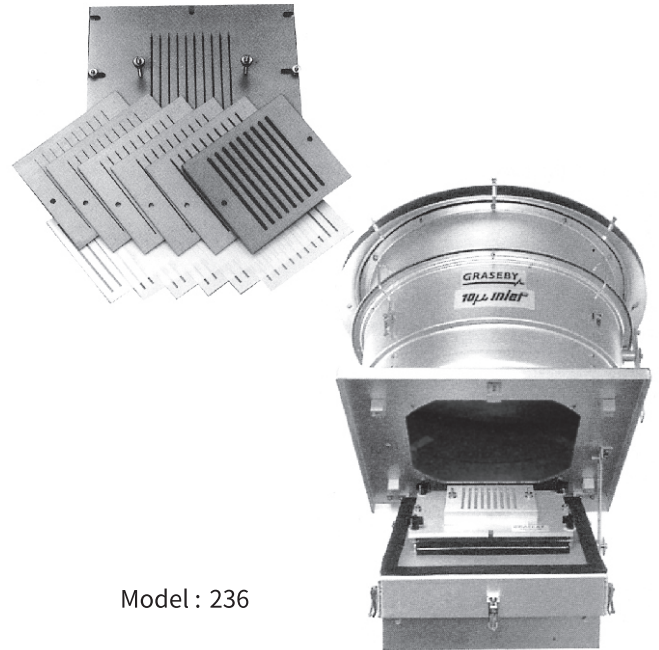
Applications

- + 대기 중의 먼지를 입경 별로 분리하여 채취
- + Plate 에 따라 1단에서 6단계로 분리채취

특징

Features

- + 모든 종류의 High Volume Air Sampler에 적용 가능
- + PM₁₀ Inlet과 동시 사용할 때에 PM₁₀ 미만에서 6단계로 분리
- + PM₁₀ 및 PM_{2.5}용 Impactor만 채용시 TSP High Volume Air Sampler로 PM₁₀ 및 PM_{2.5} 측정 가능



Model : 236

SPECIFICATIONS

Flow Rate	Model 231 : 40 CFM nominal, ~2050 CFM range, Single Stage Model 234 : 40 CFM nominal, ~2050 CFM range, Four Stage Model 235 : 40 CFM nominal, ~2050 CFM range, Five Stage Model 236 : 20 CFM nominal, ~1024 CFM range, Six Stage		
Material	Anodized aluminum alloy		
Particle Size	Cut-offs(Microns) at 50% collection efficiency for spherical particles with unit mass density 25°C and 760mmHg :		
	Stage Number	40 CFM	20 CFM
	PM ₁₀ Size Selective Inlet	10.0	—
	1	7.2	10.2
	2	3.0	4.2
	3	1.5	2.1
	4	0.95	1.4
	5	0.49	0.73
	6	—	0.41
	Hi-Vol Filter	0.0	0.0
Collection Substrates	143×137mm, Slotted Glass Fiber, Quartz Glass Fiber, High Purity, Aluminum, Foil		
Overall Size	235(W)×305(L)×51(H)mm Impact Storage : 152(W)×178(L)mm		
Shipping Infoation	330×254×229mm, 4.5kg		

CONFIGURATIONS

Six Stage High Volume Cascade Impactor(20 CFM)	1 ea
8"×10" Filter Cartridge	1 ea

SUBSTRATES AND ACCESSORIES

Specially Slotted Glass Fiber Collection Substrates(100st/box)	1 box
Glass Fiber Filters 8"×10" for TSP(100/box)	1 box